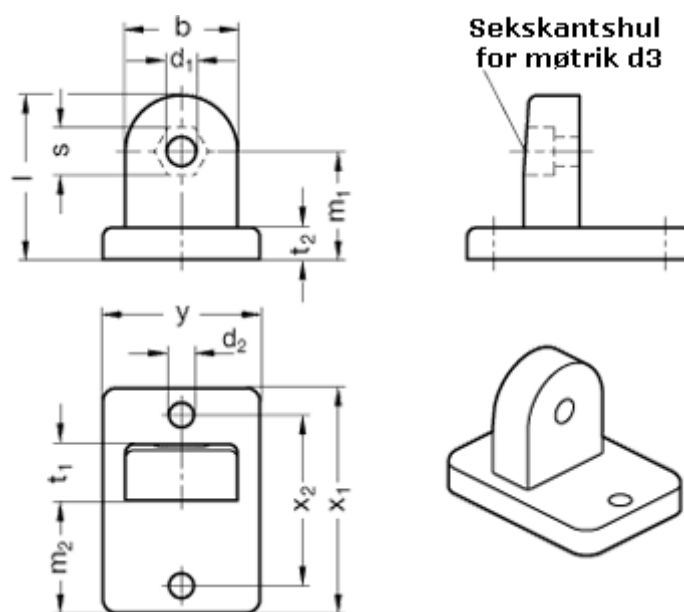


Article number: 2027125BL

Description: E+G Swivel clamp connector base
GN271-25-BL

Measures



b = 25	t1 = 12.5
d1 = 6.5	t2 = 7
d2 = 5.5	x1 = 50
d3 = M 6	x2 = 38
l = 36.5	Y = 35
m1 = 24	
m2 = 25	
S = 10	